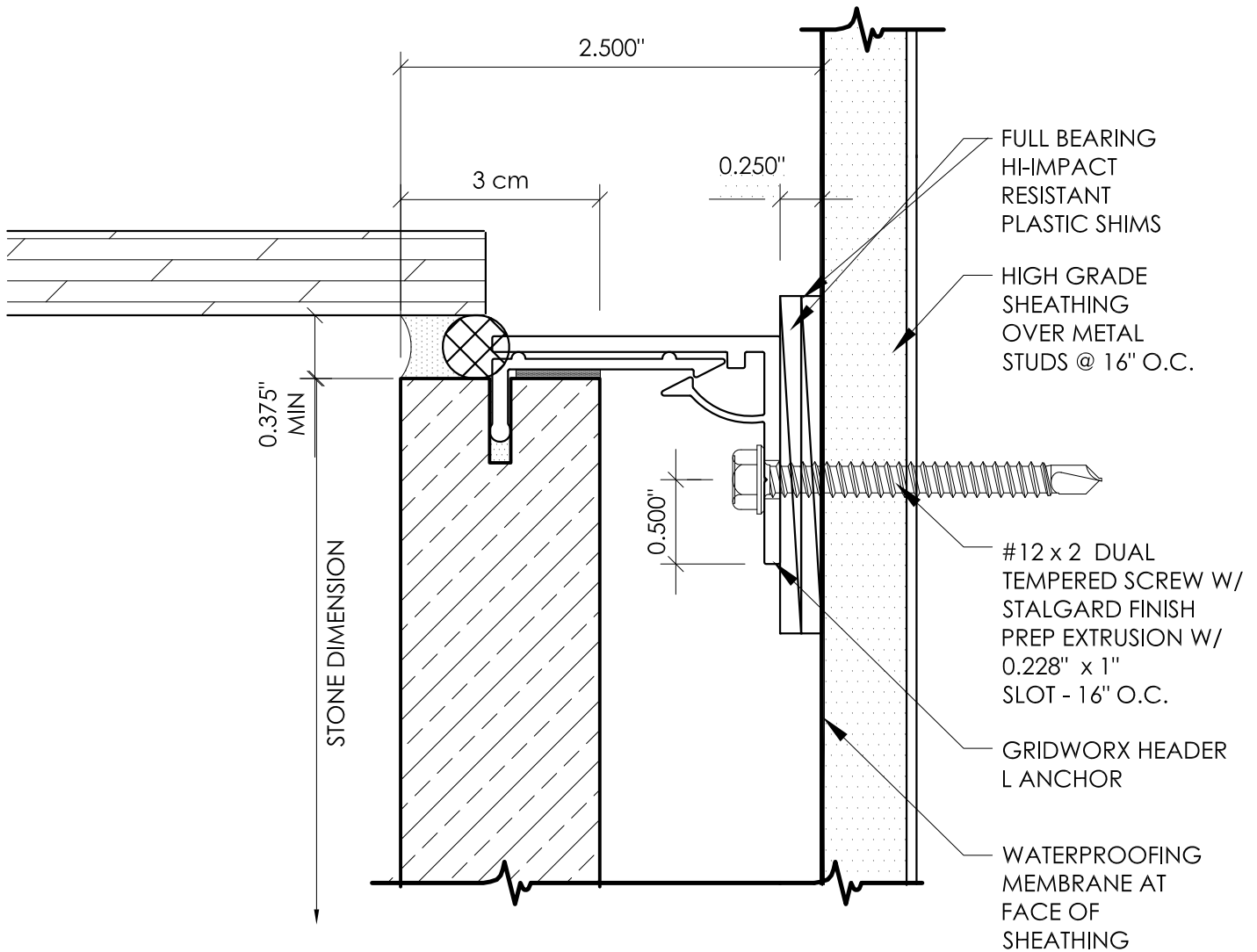


Top J Anchor



TOP J ANCHOR

3/8" JOINTS - STEEL FRAMING SCALE:FULL



Precision Wall Systems, Inc.
 1821 Levee Street
 Dallas, TX 75207
 Phone 214.774.4502
 Fax 214.432.5963
www.gridworxwalls.com